



APPLICATION and PERFORMANCE SPECIFICATION

ACT2P1435PS220D0

Line Voltage: 220~240Vac 50/60Hz
 Safety Voltage: 198~264Vac 50/60Hz
 EEI=A1
 High Power Factor, Low THD
 Program Starting
 Auto Reset after Lamp Replacement
 Operating Frequency: 40~100 kHz

RoHS Compliance
 Lamp switching \geq 20000 cycles
 End of Lamp Life Protection
 Abnormal Protection
 U-out =430V
 Tc(max): 75°C
 Ta(max): 50°C

Lamp Type	Dimmer input	Line Volt.	Qty of Lamps	Mini. Start Temp (°C)	Input Current (A)	Input Power (W)	Power Fact (%)	THD (%)	CF	Ballast Factor
T5-E 35W	Full Bright	220	2	10	0.33	75.6	98	\leq 10	\leq 1.7	1
	Full Dim	220	2	10	0.07	13.1	N/A	N/A	\leq 1.7	N/A
T5-E 28W	Full Bright	220	2	10	0.28	62.5	98	\leq 10	\leq 1.7	1
	Full Dim	220	2	10	0.06	11.4	N/A	N/A	\leq 1.7	N/A
T5-E 21W	Full Bright	220	2	10	0.21	47.3	96	\leq 10	\leq 1.7	1
	Full Dim	220	2	10	0.05	9.8	N/A	N/A	\leq 1.7	N/A
T5-E 14W	Full Bright	220	2	10	0.15	33.4	96	\leq 10	\leq 1.7	1
	Full Dim	220	2	10	0.05	8.4	N/A	N/A	\leq 1.7	N/A

Application and Performance Specification Information Subject to Change Without Notification

Standards

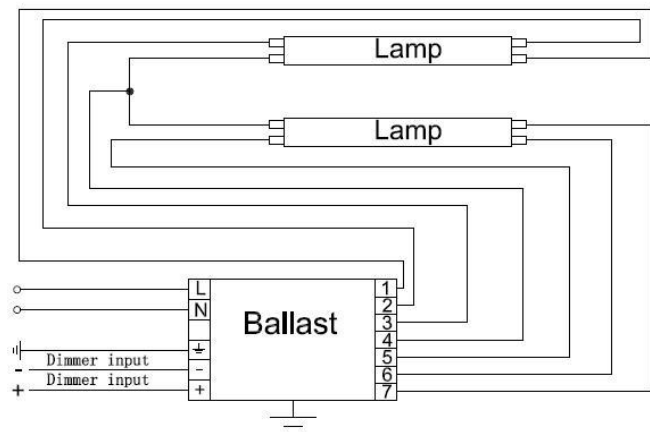
IEC61347-1, IEC61347-2-3
 IEC60929
 IEC61000-3-2
 EN55015 (CISPR15), EN6154

Safety

CE
 Sound Rated: A

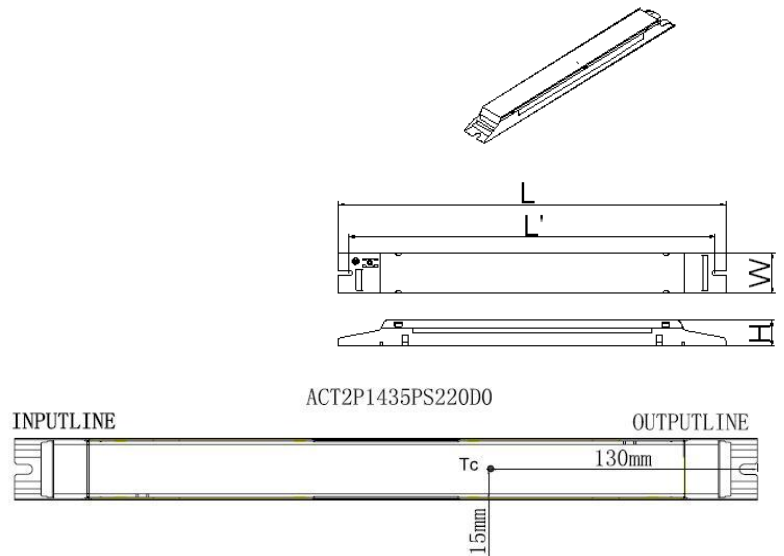
Physical Parameters

Overall Length (L): 424.2 \pm 1 mm
 Width (W): 30.7 \pm 1mm
 Height (H): 25.6 \pm 1mm
 Mounting Length (L'): 413.6 \pm 1mm
 Weight: 400g





APPLICATION and PERFORMANCE SPECIFICATION



Caution

Install in accordance with the national electrical code; Disconnect power before serving; Use single solid copper wire (cross section area is $0.5\sim 1.0\text{mm}^2$, stripped to 7.0~8.5mm) to connect ballast and lamp.

Warranty:

Arcata electronics Inc warrants that each electronic ballast will be free from defects in material or workmanship including replacement for 5 years from the date of manufacture when properly installed and under normal condition use.