



APPLICATION and PERFORMANCE SPECIFICATION

ACT3P32IS347

· Line Voltage:347V 50/60Hz

· Instant Start

· Parallel Lamp Operation

· Active Power Factor Correction

Lamp Type	Num.Of Lamps	Rated Lamp Watts	Min. Start Temp. (F/C)	Input Voltage (Vols)	Input Current (Amps)	Input Power (Watts)	MAX. THD _≤ %	PF ≥	Ballast Factor	MAX. Lamp Current Crest Factor	BEF
* F32T8	3	32	0/-18	347	0.240	82	10	0.98	0.86	1.70	1.05
FB32T8	3	32	0/-18	347	0.239	82	10	0.98	0.86	1.70	1.05
FB31T8	3	31	0/-18	347	0.228	79	10	0.98	0.86	1.70	1.09
FB28T8	3	28	0/-18	347	0.208	71	10	0.98	0.86	1.70	1.21
F32T8/ES/30	3	30	60/16	347	0.226	77	10	0.98	0.86	1.70	1.12
F32T8/ES/28	3	28	60/16	347	0.207	71	10	0.98	0.86	1.70	1.21
F32T8/ES/25	3	25	60/16	347	0.199	69	10	0.98	0.90	1.70	1.30
F25T8	3	25	0/-18	347	0.188	65	10	0.98	0.90	1.70	1.38
F17T8	3	17	0/-18	347	0.137	46	10	0.98	0.92	1.70	2.00
F32T8	2	32	0/-18	347	0.186	61	10	0.98	0.99	1.70	1.62
FB32T8	2	32	0/-18	347	0.186	61	10	0.98	0.99	1.70	1.62
FB31T8	2	31	0/-18	347	0.173	58	10	0.98	0.99	1.70	1.62
FB28T8	2	28	0/-18	347	0.161	54	10	0.98	0.99	1.70	1.83
F32T8/ES/30	2	30	60/16	347	0.172	56	10	0.98	0.99	1.70	1.77
F32T8/ES/28	2	28	60/16	347	0.160	54	10	0.98	0.99	1.70	1.83
F32T8/ES/25	2	25	60/16	347	0.153	51	10	0.97	1.00	1.70	1.96
F25T8	2	25	0/-18	347	0.146	49	10	0.97	1.00	1.70	2.04

Note: The above data is tested at 60Hz.

The lamp with "*" is the main lamp.

Application and Performance Specification Information Subject to Change without Notification.

Performance

- Meets ANSI Standard C82.11-2002
- Meets ANSI Standard C62.41-2002

Outdoor)

- Meets FCC 18 Non-Consumer limits

Application

- Remote Mounting: 18 ft. max. Lead length, 18AWG
- Maximum Ambient Temperature: 131°F,55°C
- Sound Rated: A
- Maximum case temperature Tc: 194°F,90°C

Safety

- No PCB's
- UL&cUL listed (Class P, Type 1

- OCV 600V

Physical Parameters

Length 9.5"

Width 1.3"

Height 1.1"

Mounting 8.9 "

Weight 1.10 lbs

Lead Length

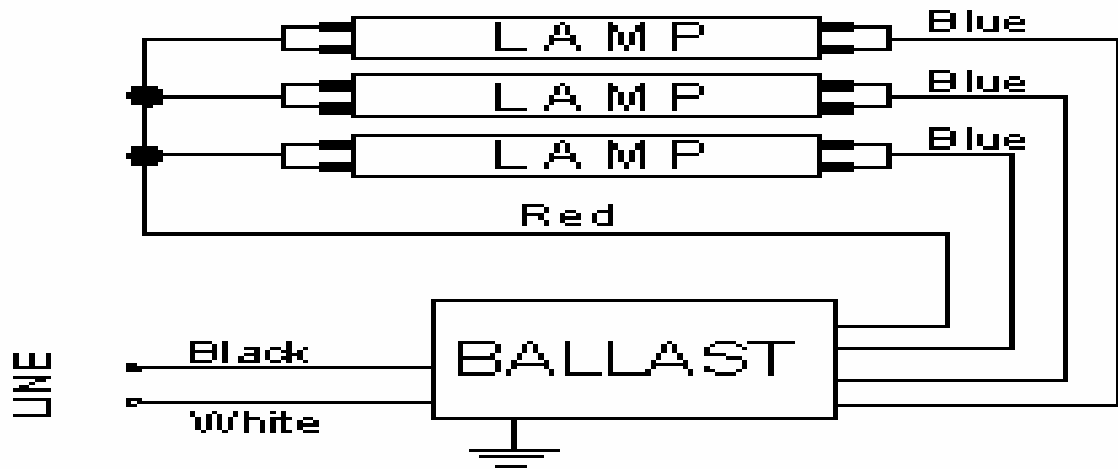
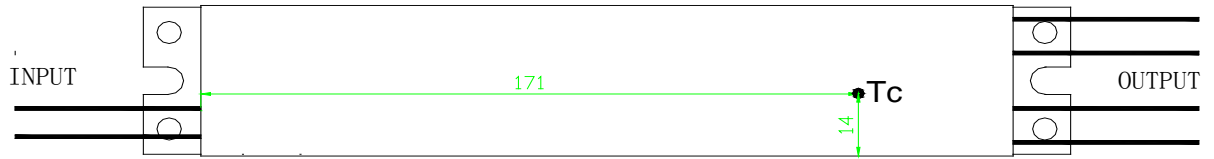
White, Black 25"(±1")

Red 46"(±1")

Blue 31"(±1")



APPLICATION and PERFORMANCE SPECIFICATION



Note: For two lamps application, cap any blue lead. Insulate to 600 volts.