



APPLICATION and PERFORMANCE SPECIFICATION

ACT3P32ISUNVEC

· Line Voltage: 120-277V 50/60Hz

· Instant Start

· Parallel Lamp Operation

· Active Power Factor Correction

· Type CC

Lamp Type			Min. Start Temp. (F/C)	Vin (V)	Iin (A)	Pin (W)	ATHD ≤%	PF ≥	CF ≤	BF	BEF
Type	No.	Watts									
* F32T8	3	32	0/-18	120	0.71	84	10	0.98	1.7	0.88	1.05
FB32T8	3	32	0/-18	120	0.71	84	10	0.98	1.7	0.88	1.05
FB31T8	3	31	0/-18	120	0.67	80	10	0.98	1.7	0.88	1.10
FB28T8	3	28	0/-18	120	0.60	72	10	0.98	1.7	0.88	1.22
F32T8/ES/30	3	30	0/-18	120	0.65	79	10	0.98	1.7	0.88	1.11
F32T8/ES/28	3	28	0/-18	120	0.60	72	10	0.98	1.7	0.88	1.22
F32T8/ES/25	3	25	0/-18	120	0.56	68	10	0.98	1.7	0.90	1.32
F25T8	3	25	0/-18	120	0.56	68	10	0.98	1.7	0.90	1.32
F17T8	3	17	0/-18	120	0.38	45	10	0.98	1.7	0.92	2.04
F40T8	2	40	32/0	120	0.65	78	10	0.98	1.7	0.95	1.22
F32T8	2	32	0/-18	120	0.53	63	10	0.98	1.7	0.99	1.57
FB32T8	2	32	0/-18	120	0.53	63	10	0.98	1.7	0.99	1.57
FB31T8	2	31	0/-18	120	0.51	61	10	0.98	1.7	0.99	1.62
FB28T8	2	28	0/-18	120	0.45	54	10	0.98	1.7	0.99	1.83
F32T8/ES/30	2	30	0/-18	120	0.48	59	10	0.98	1.7	0.99	1.67
F32T8/ES/28	2	28	0/-18	120	0.45	54	10	0.98	1.7	0.99	1.83
F32T8/ES/25	2	25	0/-18	120	0.43	51	10	0.98	1.7	1.00	1.95
F25T8	2	25	0/-18	120	0.42	50	10	0.98	1.7	1.00	1.96
* F32T8	3	32	0/-18	277	0.31	83	10	0.98	1.7	0.88	1.06
FB32T8	3	32	0/-18	277	0.31	83	10	0.98	1.7	0.88	1.06
FB31T8	3	31	0/-18	277	0.29	79	10	0.98	1.7	0.88	1.11
FB28T8	3	28	0/-18	277	0.26	70	15	0.98	1.7	0.88	1.25
F32T8/ES/30	3	30	0/-18	277	0.28	77	15	0.98	1.7	0.88	1.14
F32T8/ES/28	3	28	0/-18	277	0.26	70	15	0.98	1.7	0.88	1.25
F32T8/ES/25	3	25	0/-18	277	0.245	68	15	0.97	1.7	0.90	1.32
F25T8	3	25	0/-18	277	0.24	66	15	0.97	1.7	0.90	1.38
F17T8	3	17	0/-18	277	0.17	45	15	0.96	1.7	0.92	2.04
F40T8	2	40	32/0	277	0.29	77	15	0.97	1.7	0.95	1.23
F32T8	2	32	0/-18	277	0.24	63	15	0.97	1.7	0.99	1.57
FB32T8	2	32	0/-18	277	0.24	63	15	0.97	1.7	0.99	1.57
FB31T8	2	31	0/-18	277	0.22	60	15	0.97	1.7	0.99	1.65
FB28T8	2	28	0/-18	277	0.20	53	15	0.97	1.7	0.99	1.86
F32T8/ES/30	2	30	0/-18	277	0.21	58	15	0.97	1.7	0.99	1.70
F32T8/ES/28	2	28	0/-18	277	0.20	53	15	0.97	1.7	0.99	1.86
F32T8/ES/25	2	25	0/-18	277	0.19	51	15	0.97	1.7	1.00	1.95
F25T8	2	25	0/-18	277	0.18	50	15	0.96	1.7	1.00	1.96

Note: The above data is tested at 60Hz.

The lamp with “*” is the main lamp.

The ballast BLE can meet DOE energy conservation standards with main lamp.



APPLICATION and PERFORMANCE SPECIFICATION

Application and Performance Specification Information Subject to Change without Notification.

Performance

- Meets ANSI Standard C82.11-2002
- Meets ANSI Standard C62.41-2002
- Meets FCC 18 Non-Consumer limits(277V)
- Meets FCC 18 Consumer limits(120V)
- Meets DOE energy conservation standards

Safety

- No PCB's, Type HL
- UL&cUL listed (Class P, Type 1 Outdoor)
- OCV 600V

Application Physical Parameters

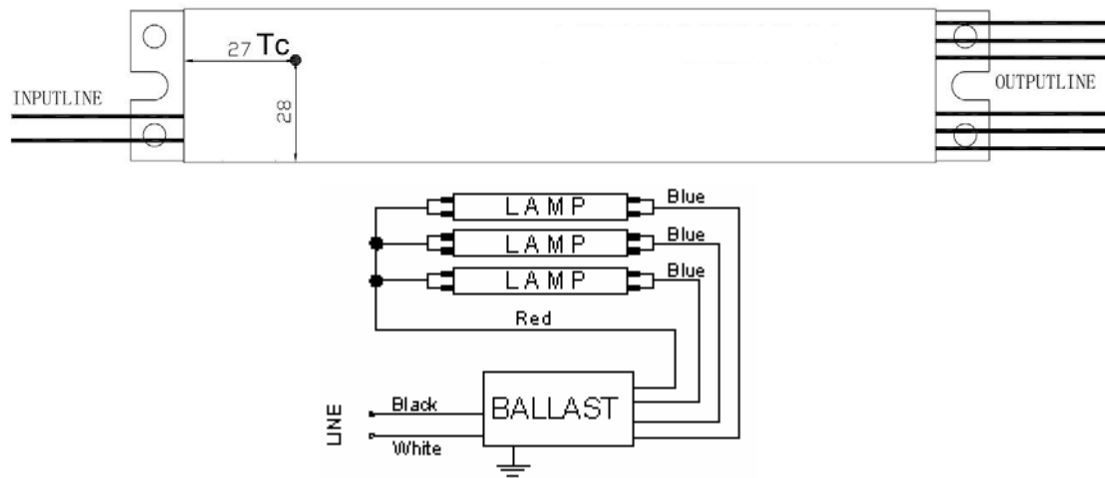
- Remote Mounting: 18 ft. max. Lead length, 18AWG
- Maximum Ambient Temperature: 131°F ,55°C
- Sound Rated: A
- Maximum case temperature Tc: 194°F ,90°C

Physical Parameters:

Length	9.5"
Width	1.3"
Height	1.1"
Mounting	8.9 "
Weight	1.1 lbs

Lead Length

White, Black	25"(±1")
Red	46"(±1")
Blue	31"(±1")



Note: For two lamps application, cap any blue lead. Insulate to 600 volts.